

2021 FURNITURE ACCESSORIES

FROM ORDER TO DELIVERY 24 HOURS

TABLE OF CONTENTS



Bent standing sofa legs

p. 3-4, 6, 8



Corner standing sofa legs

p. 5-7



Standing sofa legs

p. 8-12



Variety shaped sofa legs

p. 13-16



Lying straight sofa legs

p. 17-18



Corner lying sofa legs

p. 15-18



Sofa mechanisms

p. 22



Armrests

p. 23-24



Headrests

p. 25-27



Furniture Connectors

p. 28



Tubes

p. 30-31



Angle profiles

p. 31



Table legs

p. 32-33



Slides

p. 33-34



Flanges

p. 35



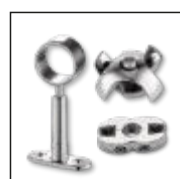
Other accessories

p. 28-29



Wooden legs

p. 19-20



SKR

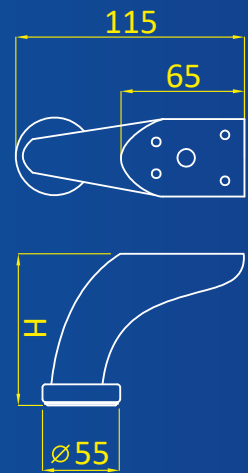
p. 35-37

SOFA LEG NR. 105

Material: Steel
Finish: Chrome, Black, Black Chrome
 Powder coated colours

Dimensions:

HEIGHT
H 90 mm

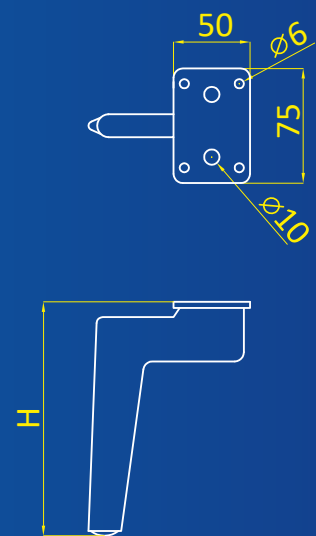


SOFA LEG NR. 111

Material: Steel
Finish: Chrome
 Powder coated colours

Dimensions:

HEIGHT
H 130 mm
H 160 mm
H 175 mm



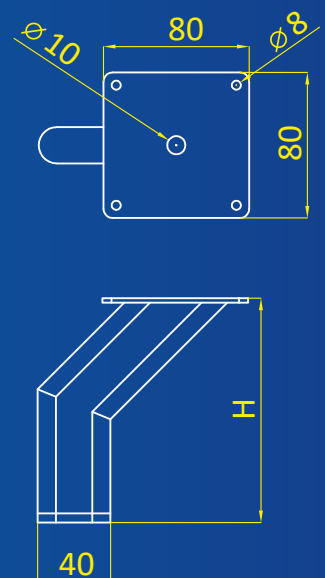
SOFA LEG NR. 115

Material: Steel
Finish: Chrome, Black, Black Chrome
 Powder coated colours

Dimensions:

HEIGHT
H 100 mm
H 110 mm
H 120 mm
H 130 mm
H 140 mm
H 150 mm

**OTHER HEIGHTS
 ON REQUEST**

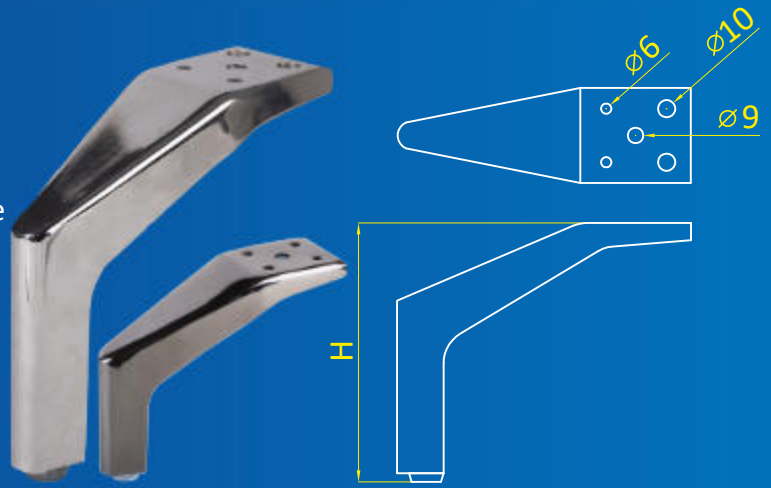


SOFA LEG NR. 119

Material: Steel
Finish: Chrome, Black, Black Chrome
 Powder coated colours

Dimensions:

HEIGHT
H 130 mm
H 150 mm



SOFA LEG NR. 120

Material: Steel
Finish: Chrome, Gold, Black
 Powder coated colours

Dimensions:

HEIGHT
H 130 mm
H 160 mm



SOFA LEG NR. 153

Material: Steel
Finish: Black
 Powder coated colours

Dimensions:

ARM LENGTH	HEIGHT
L 124 mm	H 130 mm

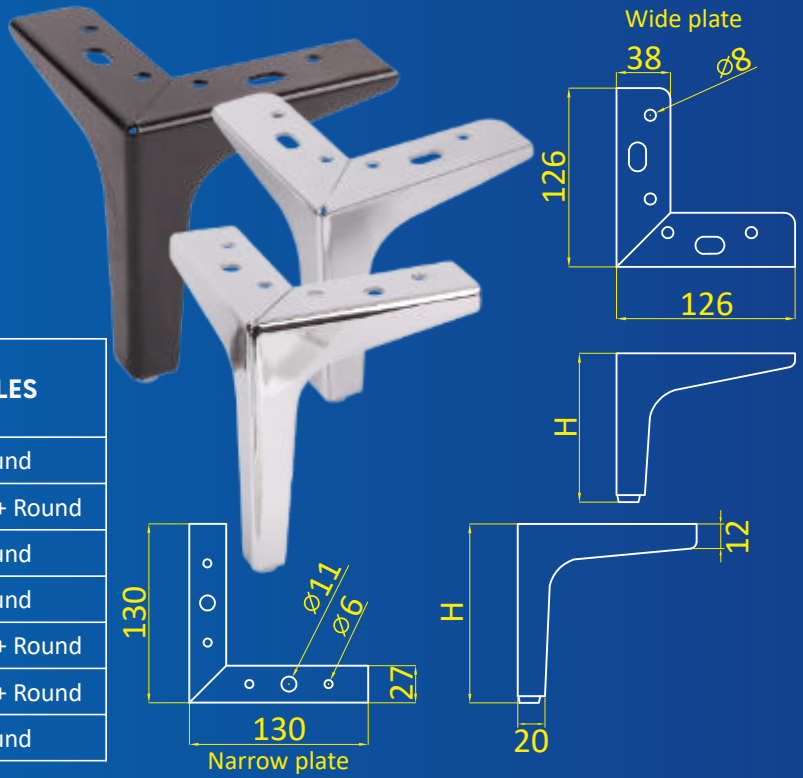


SOFA LEG NR. 155

Material: Steel
Finish: Chrome, Black
 Powder coated colours

Dimensions:

THICKNESS	HEIGHT	PLATE	HOLES
T 2,0 mm	H 100 mm	Narrow [BW]	Round
	H 100 mm	Wide [BS]	Slotted + Round
	H 130 mm	Narrow [BW]	Round
T 2,5 mm	H 130 mm	Narrow [BW]	Round
	H 130 mm	Wide [BS]	Slotted + Round
	H 150 mm	Wide [BS]	Slotted + Round
	H 150 mm	Wide [BS]	Round

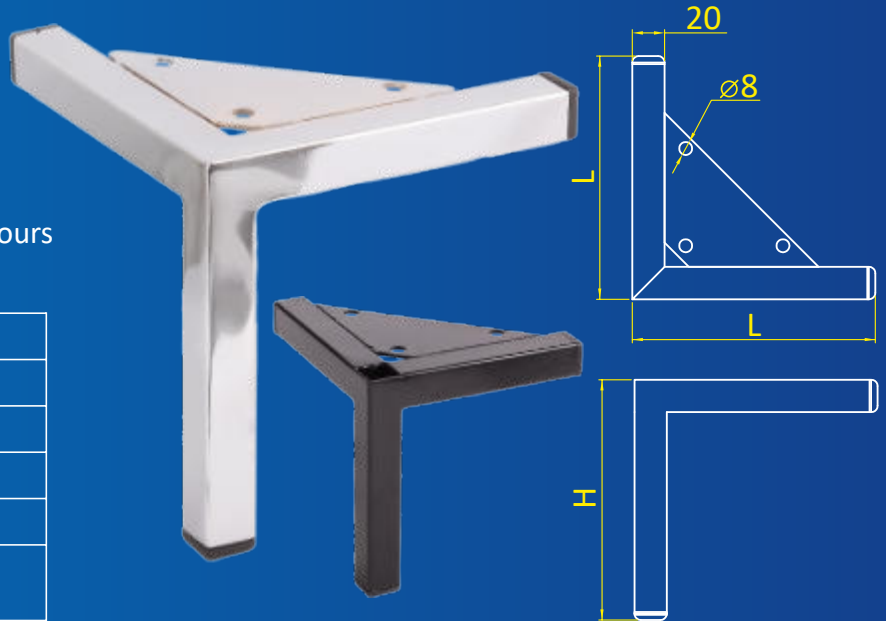


SOFA LEG NR. 156

Material: Steel
Finish: Chrome, Black
 Powder coated colours

Dimensions:

ARMLength	HEIGHT
L 130 mm	H 100 mm
	H 130 mm
L 150 mm	H 120 mm
	H 150 mm
OTHER HEIGHTS ON REQUEST	

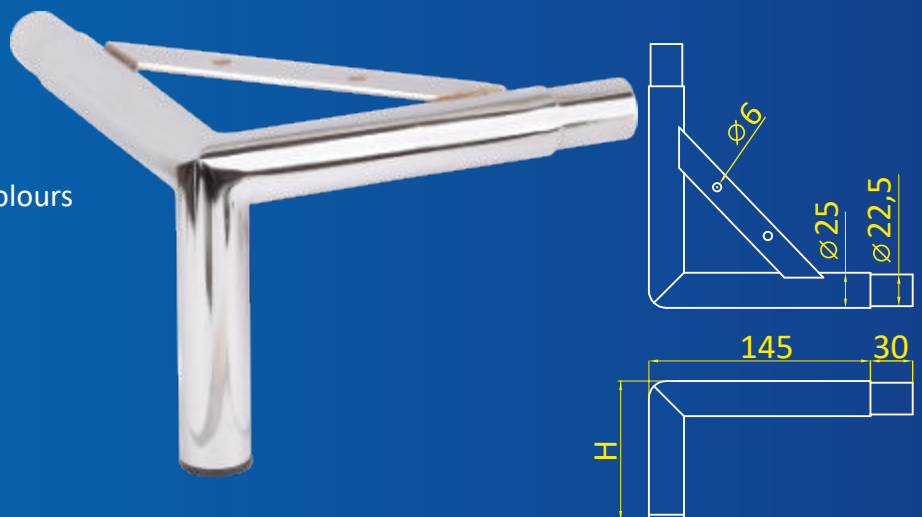


SOFA LEG NR. 157

Material: Steel
Finish: Chrome
 Powder coated colours

Dimensions:

HEIGHT	
H 80 mm	
H 100 mm	
CONNECT TO Ø25 TUBES	
OTHER HEIGHTS ON REQUEST	

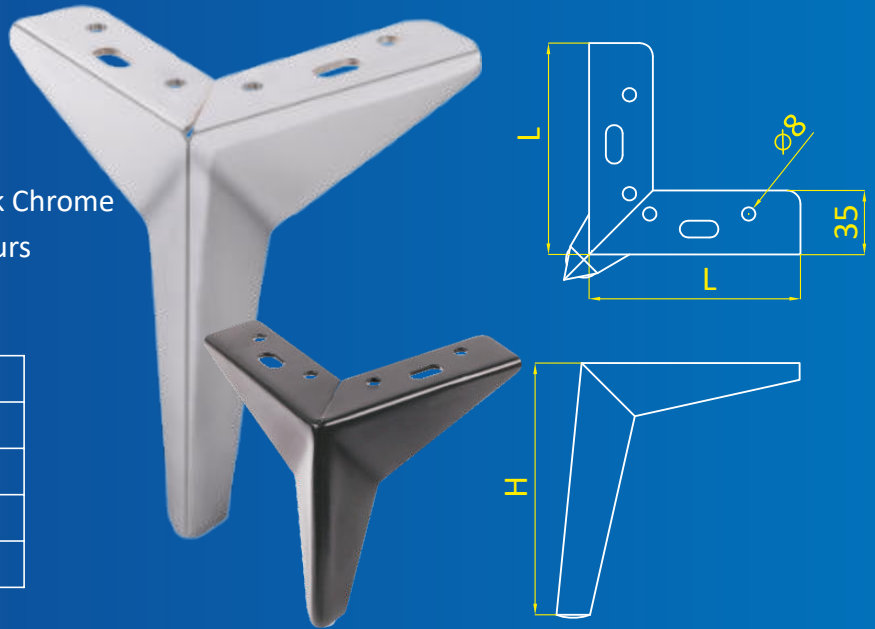


SOFA LEG NR. 159

Material: Steel
Finish: Chrome, Black, Black Chrome
 Powder coated colours

Dimensions:

ARM LENGTH	HEIGHT
L 110 mm	H 100 mm
L 130 mm	H 120 mm
	H 135 mm
	H 150 mm

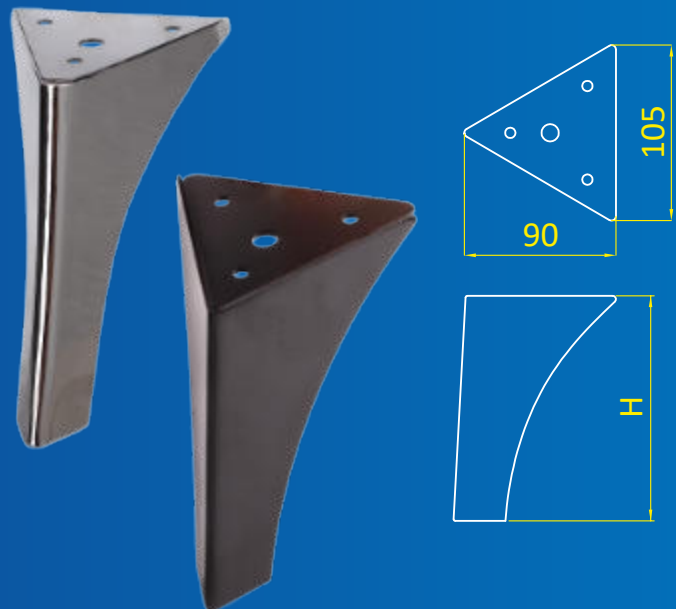


SOFA LEG NR. 160

Material: Steel
Finish: Chrome, Black, Black Chrome
 Powder coated colours

Dimensions:

THICKNESS	HEIGHT
T 1,8 mm	H 105 mm
	H 138 mm

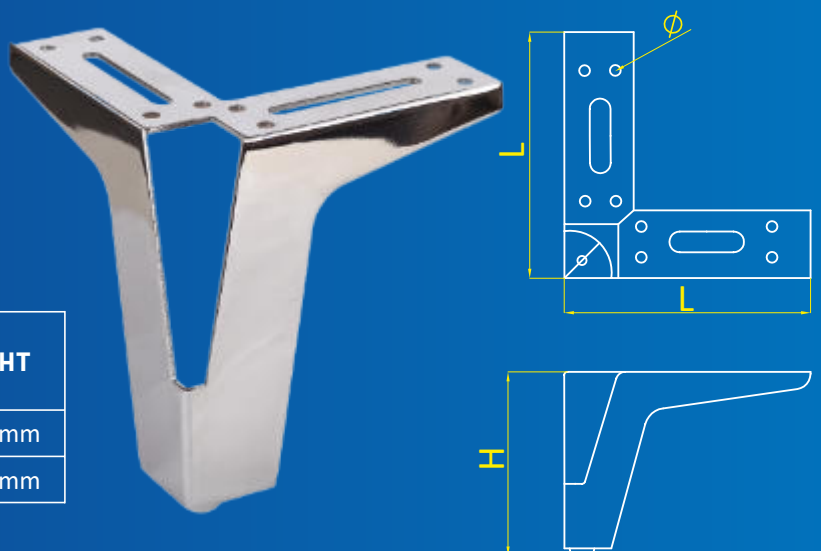


SOFA LEG NR. 163

Material: Steel
Finish: Chrome
 Powder coated colours

Dimensions:

THICKNESS	DIAMETER	ARM LENGTH	HEIGHT
T 2,5 mm	Ø 5 mm	L 116 mm	H 125 mm
T 2,5 mm	Ø 7 mm	L 160 mm	H 120 mm



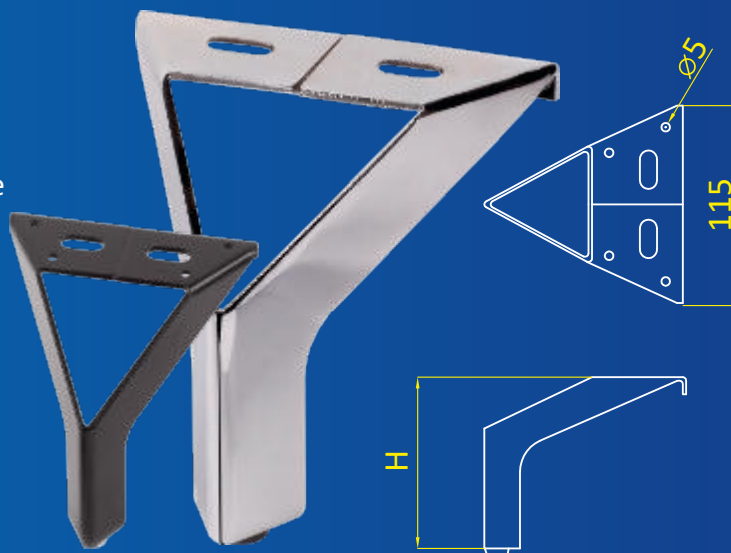
SOFA LEG NR. 165

Material: Steel

Finish: Chrome, Black, Black Chrome
Powder coated colours

Dimensions:

THICKNESS	HEIGHT
T 2,5 mm	H 100 mm
	H 120 mm



SOFA LEG NR. 167

Material: Steel

Finish: Chrome, Black, Black Chrome, Gold
Powder coated colours

Dimensions:

HEIGHT
H 130 mm
H 150 mm
H 170 mm

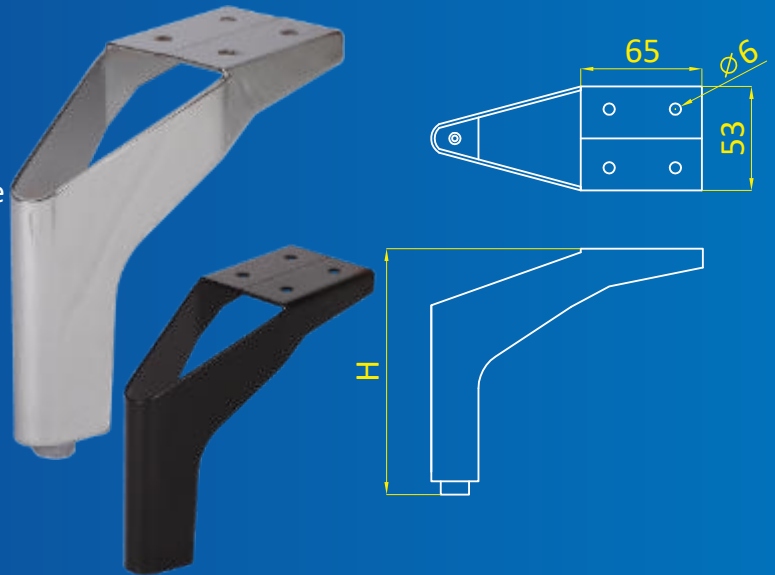


SOFA LEG NR. 169

Material: Steel
Finish: Chrome, Black, Black Chrome
 Powder coated colours

Dimensions:

HEIGHT
H 160 mm

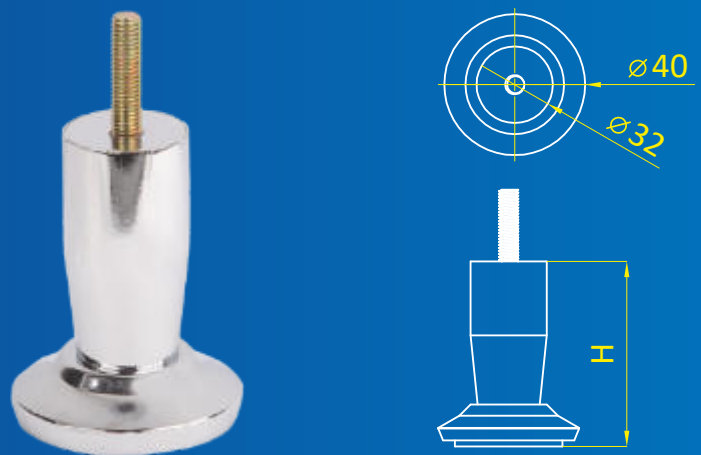


SOFA LEG NR. 181

Material: Steel
Finish: Chrome, Black, Black Chrome
 Powder coated colours

Dimensions:

HEIGHT
H 80 mm



SOFA LEG NR. 182

Material: Steel
Finish: \varnothing 40 - Chrome, Black
 \varnothing 50 - Chrome, Satin, Anodized Aluminum, Black
 \varnothing 60 - Chrome, Satin, Anodized Aluminum, White, Black, Inox
 Powder coated colours

Dimensions :

DIAMETER	HEIGHT	THREAD
\varnothing 40 mm \varnothing 50 mm \varnothing 60 mm	H 70 mm	M8
	H 80 mm	
	H 100 mm	
	H 120 mm	
	H 130 mm	
	H 150 mm	
\varnothing 50 mm	H 80 mm	M10
OTHER HEIGHTS ON REQUEST		



SOFA LEG NR. 183

Material: Steel
Finish: Chrome, Satin, Anodized Aluminum
 Powder coated colours

Dimensions:

DIAMETER	HEIGHT
ø 40 mm	H 80 mm
	H 100 mm
	H 120 mm
	H 150 mm
THE LEG IS MADE TO ORDER	



SOFA LEG NR. 184

Material: Steel
Finish: Chrome, Black, Black Chrome
 Powder coated colours

Dimensions:

DIAMETER	HEIGHT
ø 50 mm ø 60 mm	H 50 mm
	H 80 mm
	H 100 mm
	H 120 mm
	H 130 mm
	H 150 mm
THE LEG IS MADE TO ORDER	



SOFA LEG NR. 185

Material: Steel
Finish: Chrome, Satin, Anodized Aluminum
 Powder coated colours

Dimensions:

DIAMETER	HEIGHT
ø 50 mm	H 80 mm
	H 100 mm
	H 120 mm
OTHER HEIGHTS ON REQUEST	

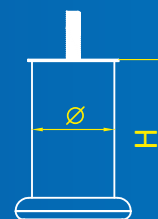
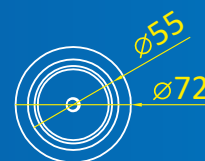


SOFA LEG NR. 186

Material: Steel
Finish: Chrome, Satin, Anodized Aluminum
 Powder coated colours

Dimensions:

DIAMETER	HEIGHT
ø 50 mm	H 80 mm
	H 100 mm
	H 120 mm
ø 60 mm	H 100 mm
OTHER HEIGHTS ON REQUEST	

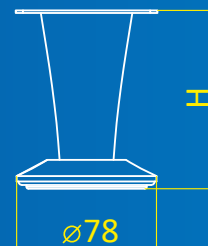
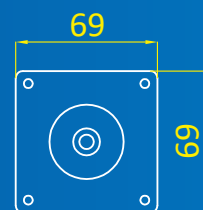


SOFA LEG NR. 195

Material: Steel
Finish: Chrome, Black, Black Chrome
 Powder coated colours

Dimensions:

HEIGHT
H 100 mm



SOFA LEG NR. 202



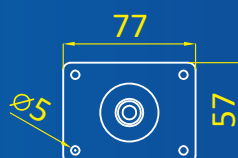
SOFA LEG NR. 202 with height adjustment +/- 35 mm



Material: Steel
Finish: Chrome, aluminium, Satin
 Powder coated colours

Dimensions:

DIAMETER	HEIGHT
ø 50 mm	H 80 mm
	H 100 mm
	H 120 mm
	H 130 mm
	H 150 mm
OTHER HEIGHTS ON REQUEST	

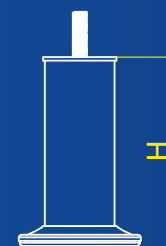


SOFA LEG NR. 217

Material: Steel
Finish: Chrome
 Powder coated colours

Dimensions:

DIAMETER	HEIGHT
ø 40 mm	H 80 mm
	H 100 mm
	H 120 mm
	H 140 mm
	H 150 mm
OTHER HEIGHTS ON REQUEST	



SOFA LEG NR. 236



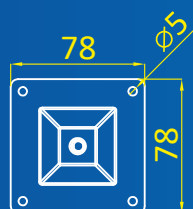
SOFA LEG NR. 236 with height adjustment +/- 25 mm



Material: Steel
Finish: Chrome
 Powder coated colours

Dimensions:

DIAMETER OF THE BASE	HEIGHT
ø 60 mm	H 80 mm
	H 100 mm
OTHER HEIGHTS ON REQUEST	

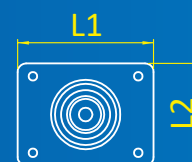


SOFA LEG NR. 251

Material: Steel
Finish: Chrome
 Powder coated colours

Dimensions:

BASE WIDTH	LENGTH PLATE	THE WIDTH OF THE BASE	HEIGHT
W 40 x 40 mm	L1 75 mm	L2 56 mm	H 80 mm
			H 120 mm
OTHER HEIGHTS ON REQUEST			



SOFA LEG NR. 267

Material: Steel
Finish: Chrome, Black, Black Chrome
 Powder coated colours

Dimensions:

WIDTH	HEIGHT
W 90 mm	H 100 mm
	H 120 mm

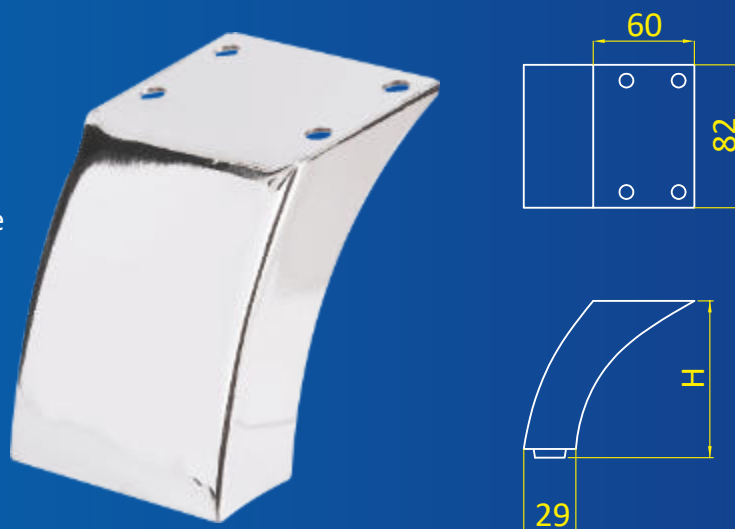


SOFA LEG NR. 275

Material: Steel
Finish: Chrome, Black, Black Chrome
 Powder coated colours

Dimensions:

WIDTH	HEIGHT
W 82 mm	H 90 mm

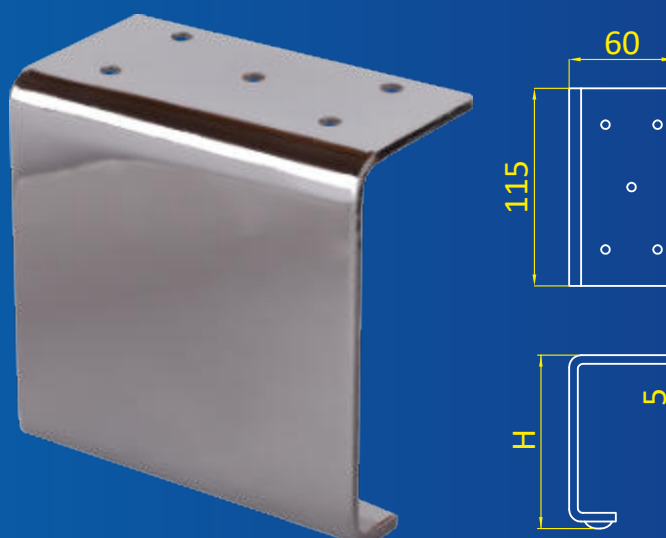


SOFA LEG NR. 278

Material: Steel
Finish: Chrome, Black, Black Chrome
 Powder coated colours

Dimensions:

WIDTH	HEIGHT
W 115 mm	H 100 mm
	H 120 mm

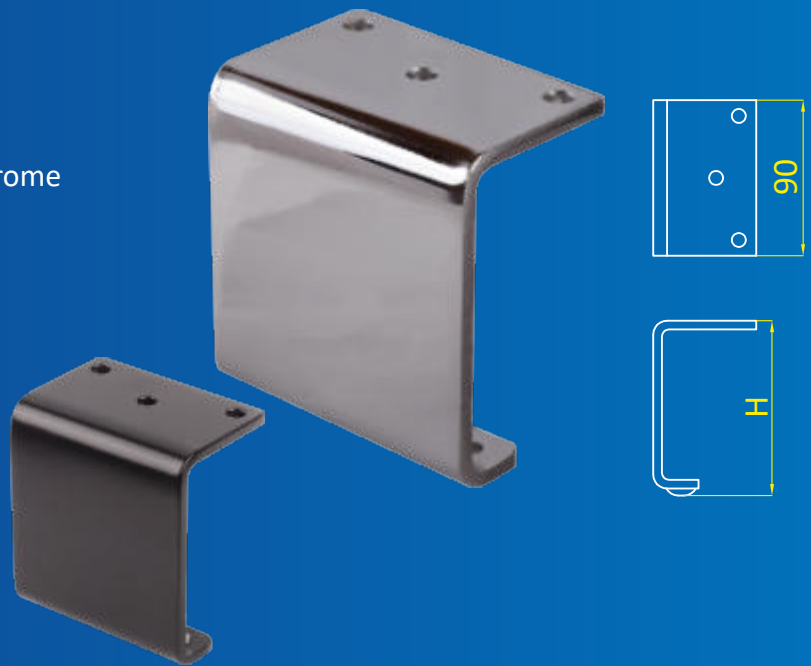


SOFA LEG NR. 283

Material: Steel
Finish: Chrome, Black, Black Chrome
 Powder coated colours

Dimensions:

WIDTH	HEIGHT
W 90 mm	H 100 mm



SOFA LEG NR. 285

Material: Steel
Finish: Chrome, Black, Black Chrome
 Powder coated colours

Dimensions:

WIDTH	HEIGHT
W 90 mm	H 100 mm

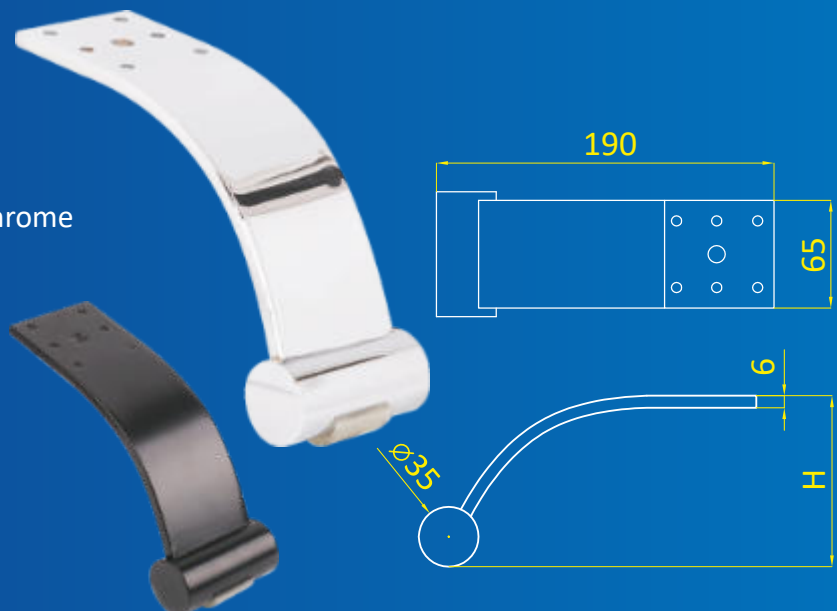


SOFA LEG NR. 286

Material: Steel
Finish: Chrome, Black, Black Chrome
 Powder coated colours

Dimensions:

WIDTH	HEIGHT
W 65 mm	H 100 mm
	H 120 mm



SOFA LEG NR. 287

Material: Steel
Finish: Chrome, Black, Black Chrome
 Powder coated colours

Dimensions:

WIDTH	HEIGHT
W 55 mm	H 120 mm



SOFA LEG NR. 296

Material: Steel
Finish: Chrome, Black, Black Chrome
 Powder coated colours

Dimensions:

ARM LENGTH	HEIGHT
L 150 mm	H 50 mm
L 200 mm	H 50 mm
L 210 x 140 mm two-sided	H 70 mm



SOFA LEG NR. 326 V

Material: Steel
Finish: Chrome, Black, Black Chrome
 Powder coated colours

Dimensions:

HEIGHT
H 120 mm

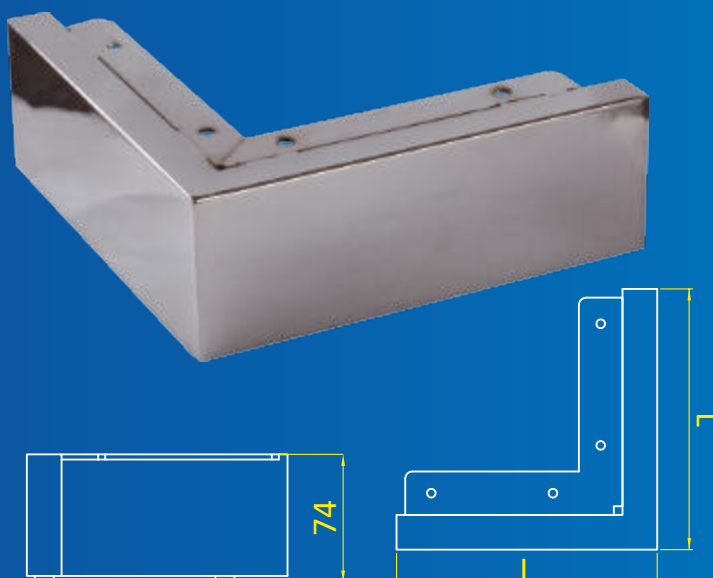


SOFA LEG NR. 351

Material: Steel
Finish: Chrome, Black, Black Chrome
 Powder coated colours

Dimensions:

ARM LENGTH	HEIGHT
L 150 x L 150 mm	H 74 mm
L 200 x L 200 mm	

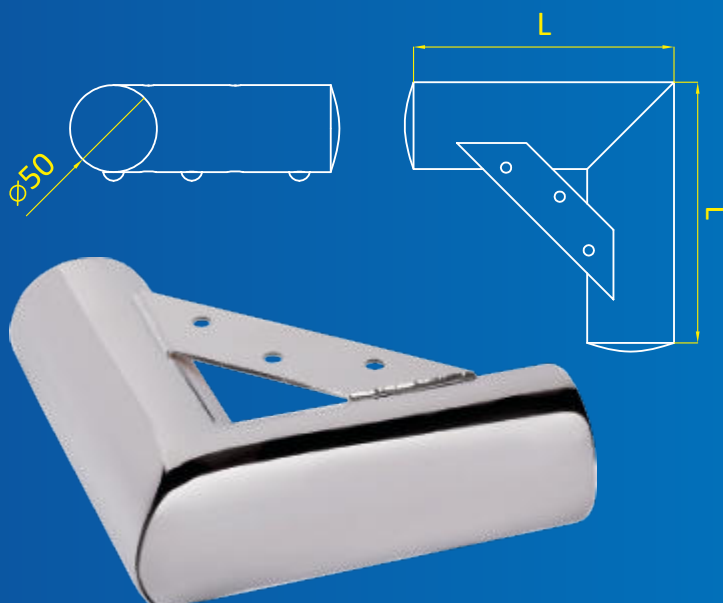


SOFA LEG NR. 353

Material: Steel
Finish: Chrome, Black, Black Chrome
 Powder coated colours

Dimensions:

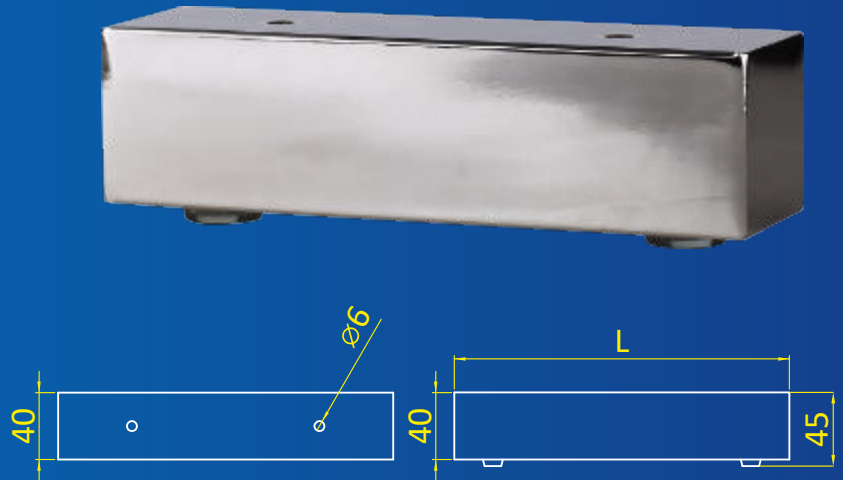
DIAMETER	LENGTH
ø 50 mm	L 150 x 150 mm



SOFA LEG NR. 368

Material: Steel
Finish: Chrome, Black, Black Chrome
 Powder coated colours
Dimensions:

PROFILE	LENGTH	HEIGHT
40 mm	L 90 mm	H 45 mm
	L 150 mm	
	L 200 mm	



SOFA LEG NR. 391

Material: Steel
Finish: Chrome
 Powder coated colours
Dimensions:

DIAMETER	LENGTH
ø 32 mm	L 150 mm
	L 200 mm
ø 40 mm	L 100 mm
	L 130 mm
	L 150 mm
	L 180 mm
	L 200 mm
	L 220 mm
	L 250 mm
	L 270 mm
	L 300 mm
ø 50 mm	L 100 mm
	L 150 mm
	L 200 mm
ø 50 mm with two handles	L 250 mm
	L 350 mm
	L 200 mm
ø 60 mm	L 150 mm
	L 200 mm

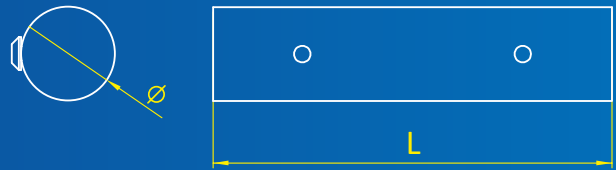


SOFA LEG NR. 402

Material: Steel
Finish: Chrome
 Powder coated colours

Dimensions:

DIAMETER	LENGTH
ø 40 mm	L 100 mm
	L 150 mm
	L 180 mm
	L 200 mm
	L 250 mm
ø 50 mm	L 100 mm
	L 150 mm
	L 200 mm

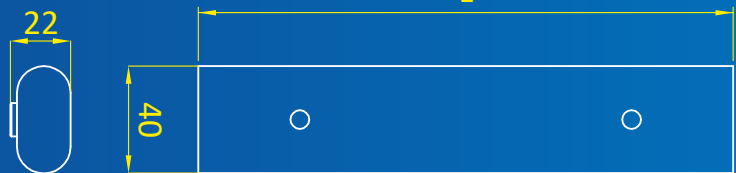


SOFA LEG NR. 405

Material: Steel
Finish: Chrome, Black, Black Chrome
 Powder coated colours

Dimensions:

LENGTH
L 250 mm

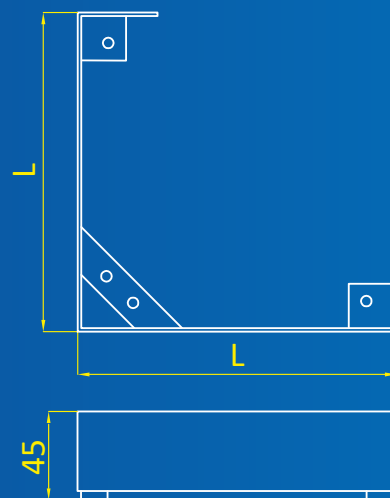
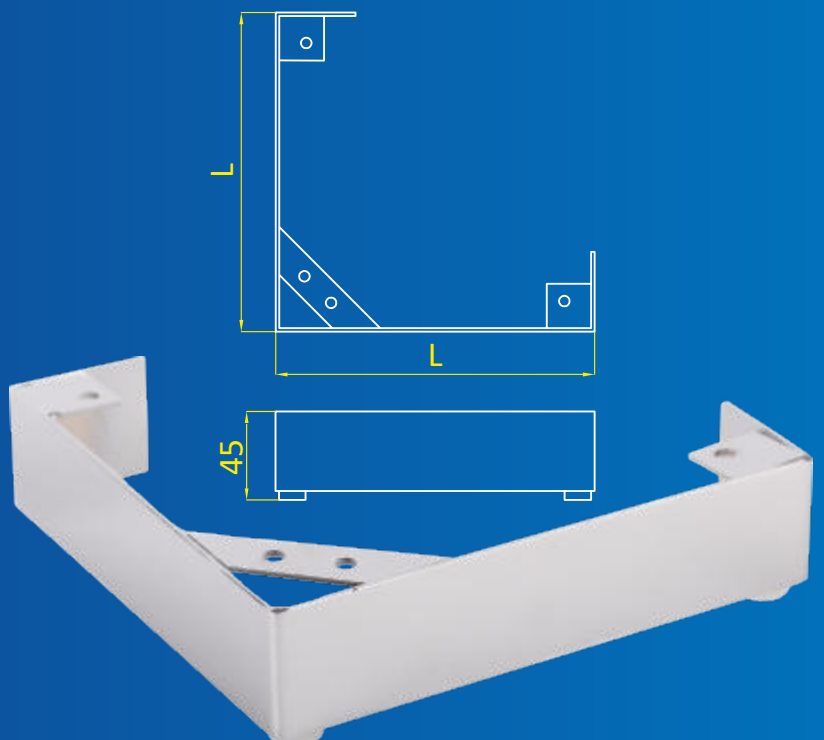


SOFA LEG NR. 408

Material: Steel
Finish: Chrome
 Powder coated colours

Dimensions:

ARM LENGTH	HEIGHT
L 180 mm	H 45 mm



WOODEN LEGS

D51-2

D51-3

D51-4

D51-5

D51-6

D51-7

D51-8



D51-9

D52

D53

D54

D58-1

D49-2



K-49A



K-52



K-55



K-58



K-58A



K-05



WE PAINT POWDER LEGS



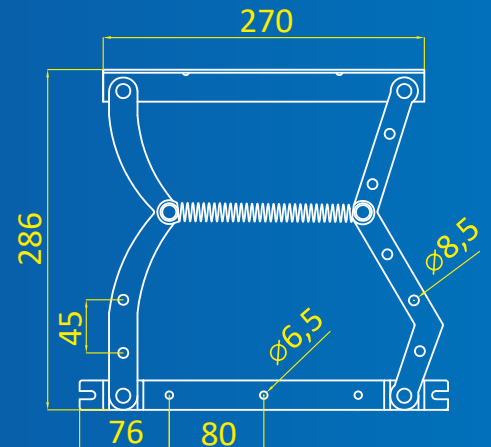
ON ALL COLORS RAL



SOFA MECHANISM NR. C69-2

Material: Steel

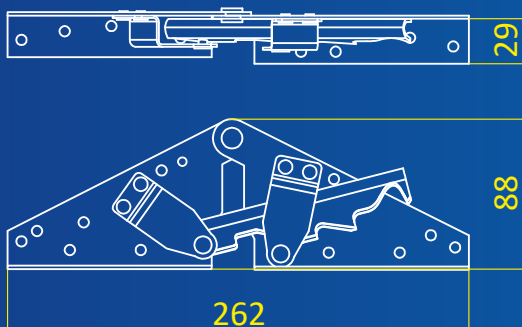
Finish: Zinc



SOFA MECHANISM NR. C300

Material: Steel

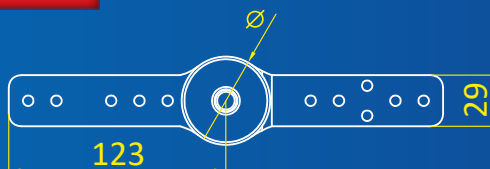
Finish: Powder coated colours



ARMREST NR. A4

Material: Steel

Finish: Zinc



Dimensions:

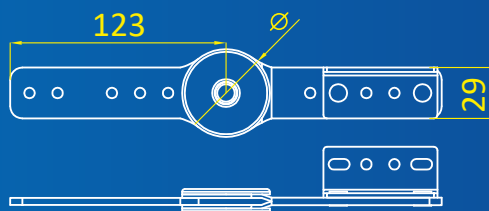
DIAMETER	INITIAL ANGLE	NUMBER OF STEPS	ANGLE OF THE LAST STOP	MAXIMUM ANGLE OF DEFLECTION (RETURN)
ø 40 mm	90°	3 (every 15°)	135°	150°
		4 (every 15°)	150°	165°
		5 (every 15°)	165°	180°
		6 (every 15°)	180°	195°
ø 50 mm	90°	3 (every 9°)	117°	126°
		6 (every 9°)	144°	153°
		7 (every 9°)	153°	162°
		10 (every 9°)	180°	189°



ARMREST NR. A4C with corner

Material: Steel

Finish: Zinc

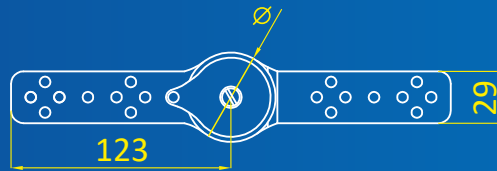


Dimensions:

DIAMETER	INITIAL ANGLE	NUMBER OF STEPS	ANGLE OF THE LAST STOP	MAXIMUM ANGLE OF DEFLECTION (RETURN)
ø 40 mm	90°	3 (every 15°)	135°	150°
		4 (every 15°)	150°	165°
		5 (every 15°)	165°	180°
		6 (every 15°)	180°	195°
ø 50 mm	90°	3 (every 9°)	117°	126°
		6 (every 9°)	144°	153°
		7 (every 9°)	153°	162°
		10 (every 9°)	180°	189°



ARMREST NR. A4 SPR with spring



Material: Steel

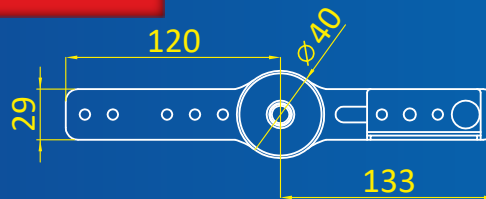
Finish: Zinc

Dimensions:

DIAMETER	INITIAL ANGLE	NUMBER OF STEPS	ANGLE OF THE LAST STOP	MAXIMUM ANGLE OF DEFLECTION (RETURN)
∅ 40 mm	90°	3 (every 15°)	135°	150°
		5 (every 15°)	165°	180°
		6 (every 15°)	180°	195°



ARMREST NR. A600 with corner



Material: Steel

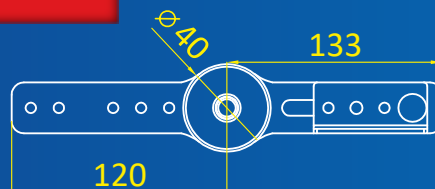
Finish: Zinc

Dimensions:

DIAMETER	INITIAL ANGLE	NUMBER OF STEPS	ANGLE OF THE LAST STOP	MAXIMUM ANGLE OF DEFLECTION (RETURN)
∅ 40 mm	90°	5 (every 15°)	165°	180°
		6 (every 15°)	180°	195°



ARMREST NR. A700 with corner and automatic return



Material: Steel

Finish: Zinc

Dimensions:

DIAMETER	INITIAL ANGLE	NUMBER OF STEPS	ANGLE OF THE LAST STOP	MAXIMUM ANGLE OF DEFLECTION (RETURN)
∅ 40 mm	90°	3 (every 15°)	135°	150°
		6 (every 15°)	180°	195°



HEADREST A2

Material: Steel
Finish: Chrome

**MOVES UP AND DOWN.
 WORKS LIKE IN CAR HEADRESTS.**

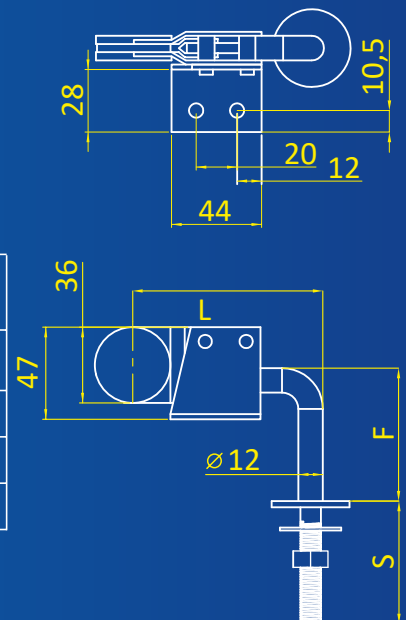


HEADREST A200/2H

Material: Steel
Finish: Zinc

Dimensions:

THE NUMBER OF HOLES	NUMBER OF STEPS	ANGLE OF THE LAST STOP	THE ANGLE OF THE MAXIMUM DEVIATION	DIMENSIONS		
				L	F	S
2	5 (every 15°)	165°	180°	90 mm	60 mm	70 mm
	6 (every 15°)	180°	195°	90 mm	60 mm	70 mm
				85 mm	64 mm	65 mm



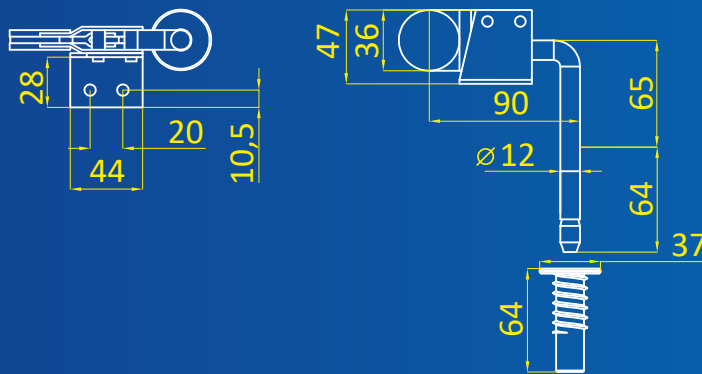
HEADREST A200 PLUS with a confirmat screw insert

Material: Steel

Finish: Zinc

Dimensions:

THE NUMBER OF HOLES	NUMBER OF STEPS	ANGLE OF THE LAST STOP	THE ANGLE OF THE MAXIMUM DEVIATION
2	5 (every 15°)	165°	180°
	6 (every 15°)	180°	195°



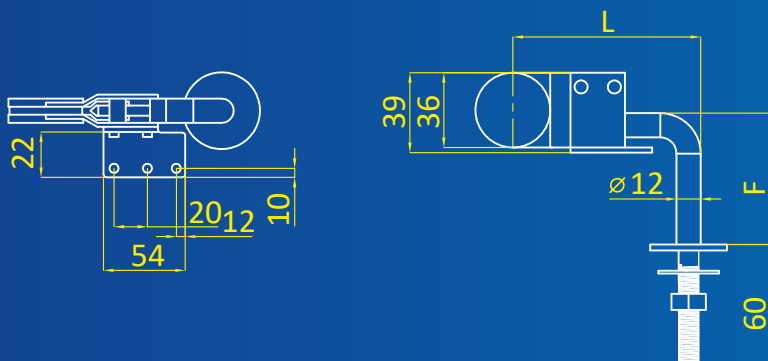
HEADREST A200/3H

Material: Steel

Finish: Zinc

Dimensions:

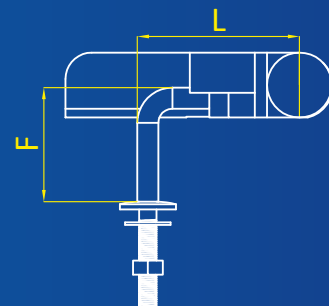
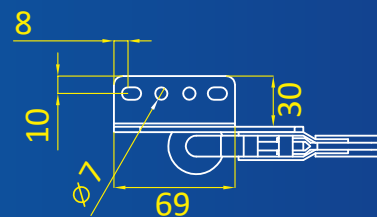
THE NUMBER OF HOLES	NUMBER OF STEPS	ANGLE OF THE LAST STOP	THE ANGLE OF THE MAXIMUM DEVIATION	DIMENSIONS		
				L	F	S
3	6 (every 15°)	180°	195°	89 mm	70 mm	65 mm



HEADREST A500

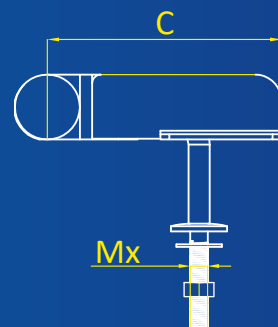
Material: Steel

Finish: Zinc



Dimensions:

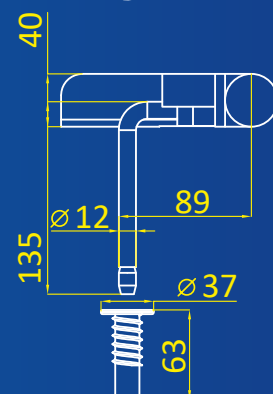
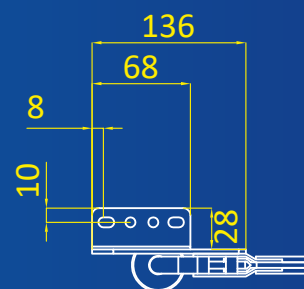
THE NUMBER OF HOLES	ANGLE OF THE LAST STOP	THE ANGLE OF THE MAXIMUM DEVIATION	DIMENSIONS			
			L	F	S	Mx
5 (every 15°)	165°	180°	85 mm	61 mm	60 mm	M10
			93 mm	65 mm		
6 (every 15°)	180°	195°	90 mm	65 mm	75 mm	M10
				64 mm	50 mm	M12



ZAGŁÓWEK A500 PLUS with a confirmat screw insert

Material: Steel

Finish: Zinc



Dimensions:

THE NUMBER OF HOLES	ANGLE OF THE LAST STOP	THE ANGLE OF THE MAXIMUM DEVIATION
5 (every 15°)	165°	180°
6 (every 15°)	180°	195°

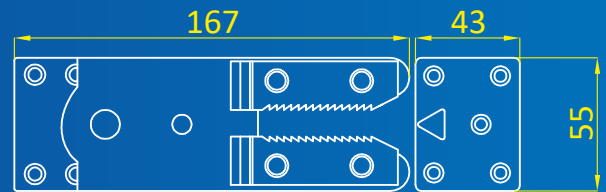
FURNITURE CONNECTOR NR. 1

Material: Steel

Finish: Zinc

Dimensions:

LENGTH
L 167 mm



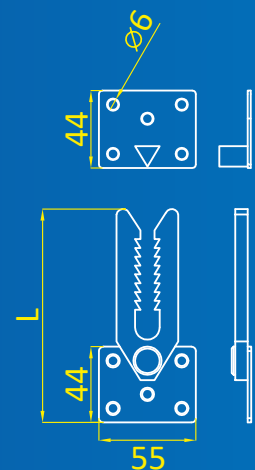
FURNITURE CONNECTOR NR. 2

Material: plate: Steel + Zinc

Rack: Plastic

Dimensions:

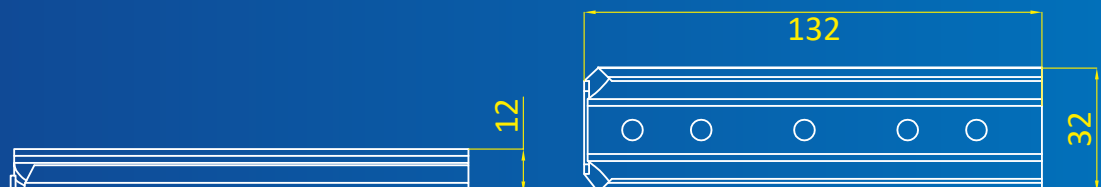
LENGTH
L 122 mm



UPHOLSTERY SPLINT

Material: Steel

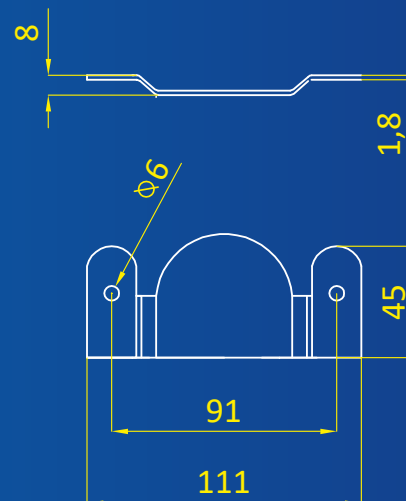
Finish: Zinc



FURNITURE CATCH NR. 1

Material: Steel

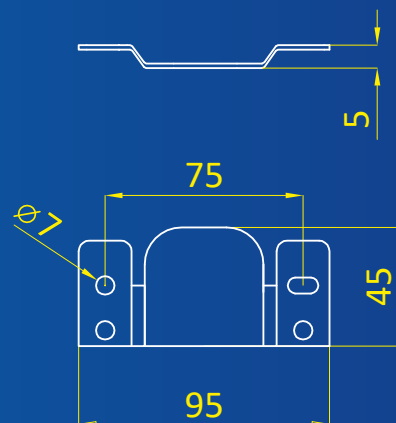
Finish: Zinc



FURNITURE CATCH NR. 2

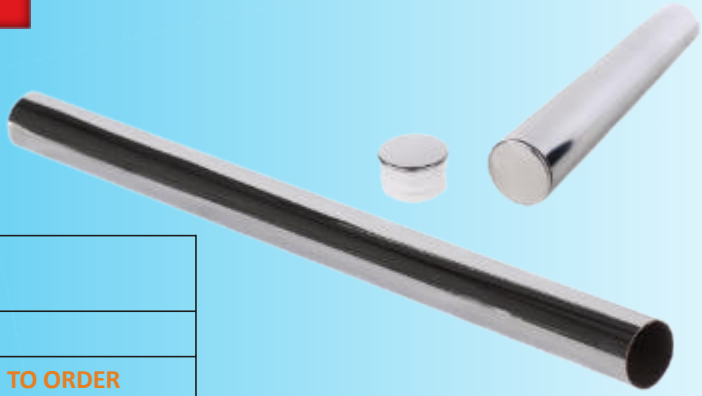
Material: Steel

Finish: Zinc



WARDROBE TUBE ϕ 25

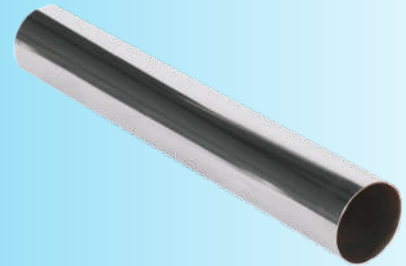
Material: Steel
Finish: Chrome
Dimensions:



DIAMETER	LENGTH
ϕ 25 mm	L 3 m
	OTHER LENGTHS LESS THAN 3M TO ORDER

WARDROBE TUBE ϕ 40

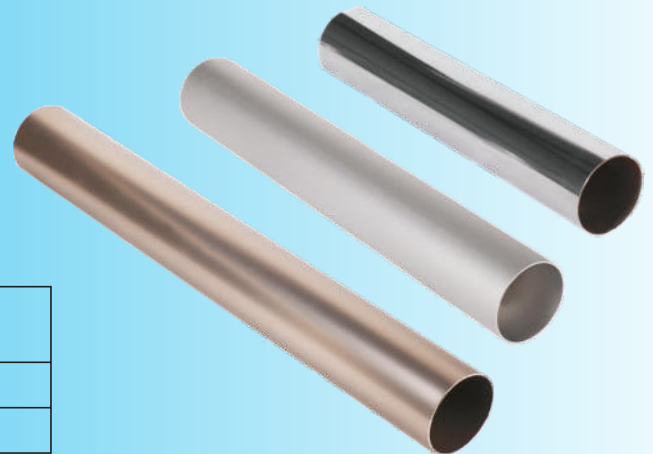
Material: Steel
Finish: Chrome, Aluminium
Dimensions:



DIAMETER	LENGTH
ϕ 40 mm	L 3 m
	OTHER LENGTHS LESS THAN 3M TO ORDER

WARDROBE TUBE ϕ 50

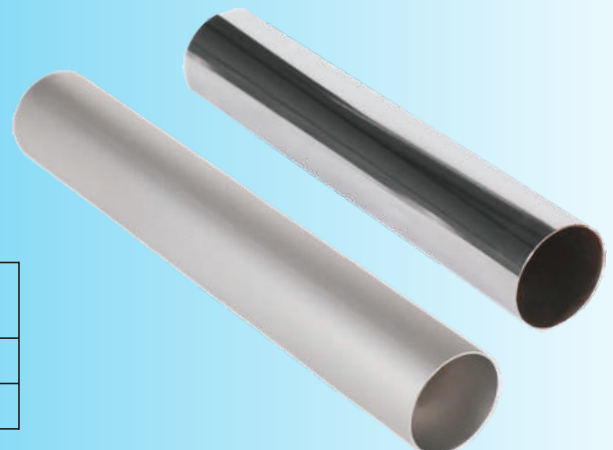
Material: Steel
Finish: Chrome, Aluminium, Satin
Dimensions:



DIAMETER	LENGTH
ϕ 50 mm	L 3 m
	OTHER LENGTHS LESS THAN 3M TO ORDER

WARDROBE TUBE ϕ 60

Material: Steel
Finish: Chrome, Aluminium
Dimensions:

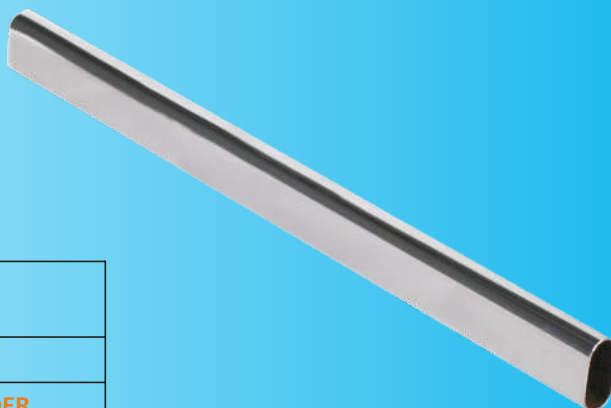


DIAMETER	LENGTH
ϕ 60 mm	L 3 m
	OTHER LENGTHS LESS THAN 3M TO ORDER

OVAL WARDROBE TUBE

Material: Steel
Finish: Chrome
Dimensions:

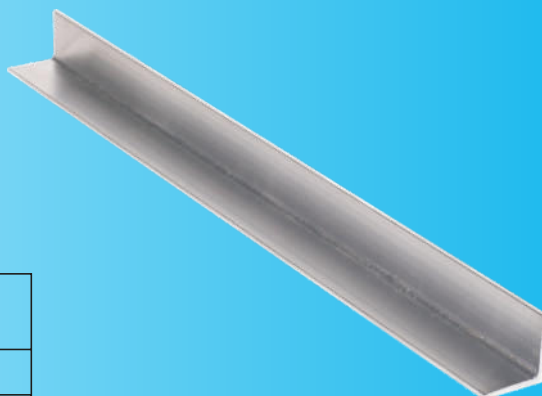
DIAMETER	LENGTH
ø 15 x 30 mm	L 3 m
	OTHER LENGTHS LESS THAN 3M TO ORDER



ANGLE BAR NR. 1

Material: Steel
Finish: Chrome
Dimensions:

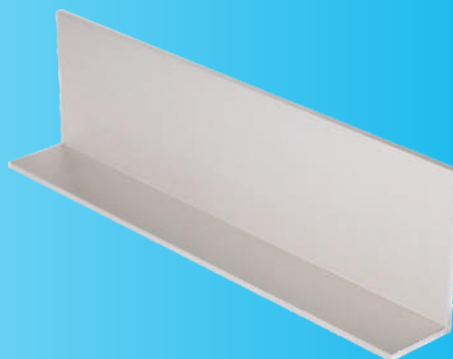
WIDTH	THICKNESS	LENGTH
30 x 30 mm	T 5 mm	L 4 m
		OTHER LENGTH TO ORDER



ANGLE BAR NR. 2

Material: Steel
Finish: Aluminium, Anodized
Dimensions:

WIDTH	THICKNESS	LENGTH
100 x 50 mm	T 5 mm	L 4 m
		OTHER LENGTH TO ORDER



DISCS FOR GLASS TABLES

Material: Aluminium
Finish: Laser
Dimensions:

HOLE	DIAMETER	THICKNESS
M6	ø 55 mm	10 mm
M8	ø 60 mm	

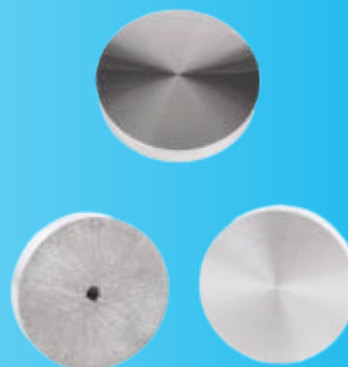


TABLE LEG NR. 1

Material: Steel
Finish: Chrome
Mounting: Steel, Aluminium
Dimensions:

DIAMETER	HEIGHT
ø 50 mm	H 710 mm
ø 60 mm	H 710 mm
	H 720 mm
	H 820 mm
	H 1110 mm
OTHER HEIGHTS ON REQUEST	



TABLE LEG NR. 2

Material: Steel
Finish: Black
Mounting: Steel
Dimensions:

DIAMETER	HEIGHT
ø 60 mm	H 710 mm
OTHER HEIGHTS ON REQUEST	



TABLE LEG NR. 2

Material: Steel
Finish: White
Mounting: Steel
Dimensions:

DIAMETER	HEIGHT
ø 60 mm	H 710 mm
OTHER HEIGHTS ON REQUEST	



TABLE LEG NR. 4

Material: Steel
Finish: Aluminium
Mounting: Steel, Aluminium

Dimensions:

DIAMETER	HEIGHT
ø 60 mm	H 710 mm
OTHER HEIGHTS ON REQUEST	



TABLE LEG NR. 5

Material: Steel
Finish: Satin
Mounting: Steel, Aluminium

Dimensions:

DIAMETER	HEIGHT
ø 60 mm	H 710 mm
OTHER HEIGHTS ON REQUEST	

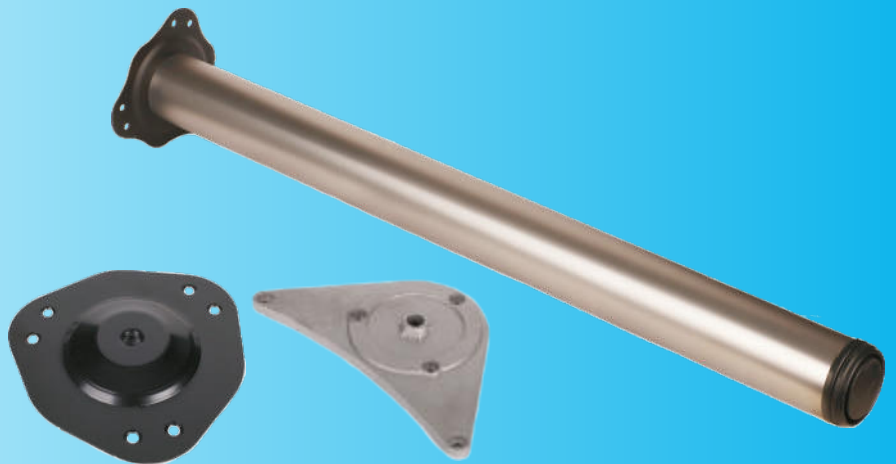


TABLE LEG NR. 6

Material: Steel
Finish: Inox
Mounting: Steel

Dimensions:

DIAMETER	HEIGHT
ø 60 mm	H 710 mm
OTHER HEIGHTS ON REQUEST	

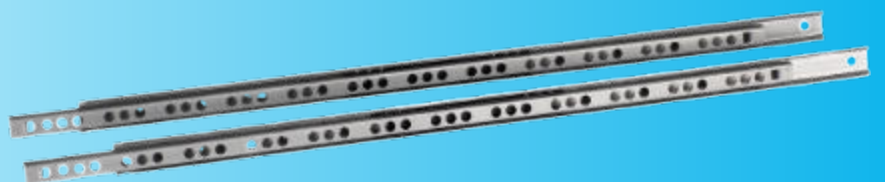


BALL BEARING SLIDE 17

Material: Steel
Finish: Zinc

Dimensions:

WIDTH	LENGTH
17 mm	L 342 mm
	L 372 mm
	L 406 mm



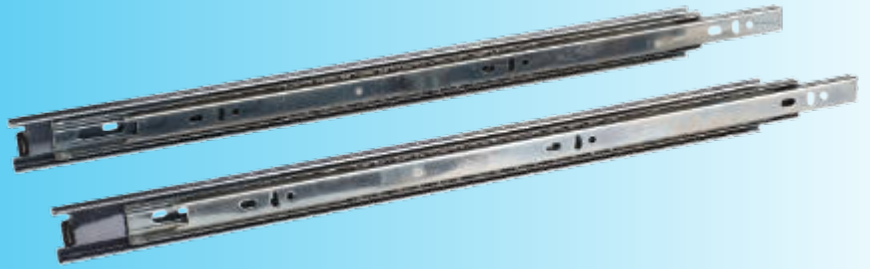
BALL BEARING SLIDE 35

Material: Steel

Finish: Zinc

Dimensions:

WIDTH	LENGTH
35 mm	L 350 mm
	L 400 mm
	L 450 mm
	L 500 mm
	L 550 mm



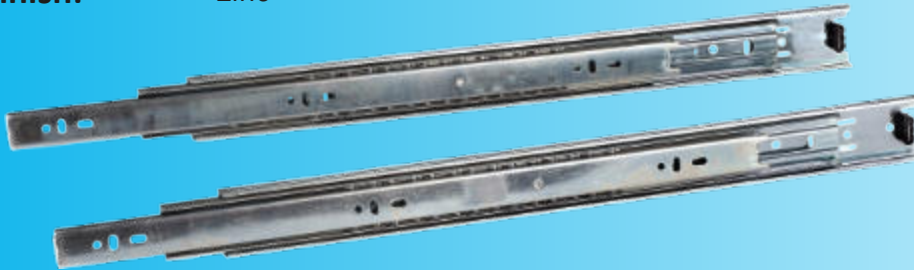
BALL BEARING SLIDE 45

Material: Steel

Finish: Zinc

Dimensions:

WIDTH	LENGTH
45 mm	L 250 mm
	L 300 mm
	L 350 mm
	L 400 mm
	L 500 mm
	L 550 mm



SOFT CLOSE SLIDE

Material: Steel

Finish: Zinc

Dimensions:

WIDTH	LENGTH
45 mm	L 350 mm
	L 400 mm
	L 450 mm
	L 500 mm
	L 550 mm



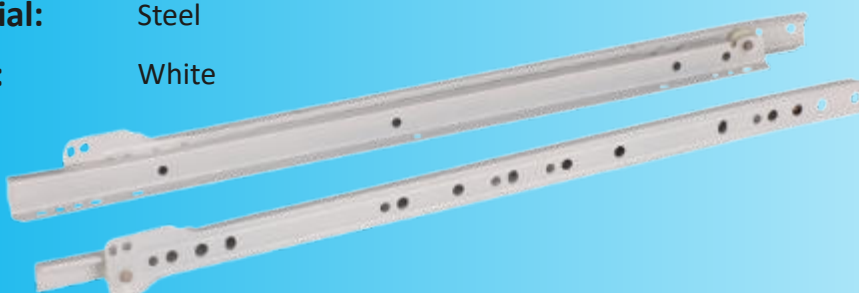
DRAWER SLIDE

Material: Steel

Finish: White

Dimensions:

LENGTH
L 400 mm
L 450 mm
L 500 mm
L 550 mm



FLANGE NR. 19

For wardrobe tube \varnothing 19 mm



Material: Steel
Finish: Chrome

FLANGE NR. 50

For wardrobe tube \varnothing 50 mm



Material: Steel
Finish: Chrome

OVAL FLANGE

For oval wardrobe tube \varnothing 15 x 30 mm



Material: Steel
Finish: Chrome

FLANGE NR. 25

For wardrobe tube \varnothing 25 mm



Material: Steel
Finish: Chrome

SKR2/1A

For wardrobe tube \varnothing 25 mm



Material: Steel
Finish: Chrome

SKR2/1B

For wardrobe tube \varnothing 25 mm



Material: Steel
Finish: Chrome

SKR2/2

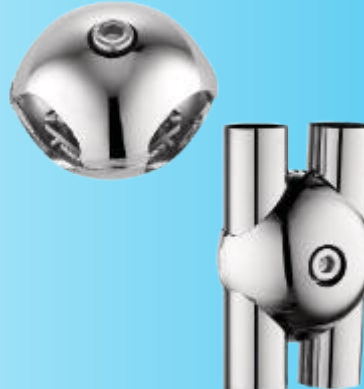
For wardrobe tube \varnothing 25 mm



Material: Steel
Finish: Chrome

SKR2/3

For wardrobe tube \varnothing 25 mm



Material: Steel
Finish: Chrome

SKR2/4A

For wardrobe tube \varnothing 25 mm



Material: Steel
Finish: Chrome

SKR2 / 4B

For wardrobe tube $\varnothing 25$ mm



Material: Steel
Finish: Chrome

SKR3 / 1

For wardrobe tube $\varnothing 25$ mm



Material: Steel
Finish: Chrome

SKR3 / 2

For wardrobe tube $\varnothing 25$ mm



Material: Steel
Finish: Chrome

SKR3 / 3

For wardrobe tube $\varnothing 25$ mm



Material: Steel
Finish: Chrome

SKR3 / 4

For wardrobe tube $\varnothing 25$ mm



Material: Steel
Finish: Chrome

SKR4 / 1

For wardrobe tube $\varnothing 25$ mm



Material: Steel
Finish: Chrome

SKR4 / 2

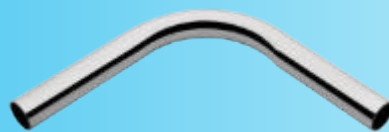
For wardrobe tube $\varnothing 25$ mm



Material: Steel
Finish: Chrome

SKR4 / 3

For wardrobe tube $\varnothing 25$ mm



Material: Steel
Finish: Chrome

SKR4 / 4

For wardrobe tube $\varnothing 25$ mm



Material: Steel
Finish: Chrome

SKR5 / 1

For wardrobe tube Ø25 mm



Material: Steel
Finish: Chrome

SKR5 / 2

For wardrobe tube Ø25 mm



Material: Steel
Finish: Chrome

SKR6

For wardrobe tube Ø25 mm



Material: Steel
Finish: Chrome

SKR6 / 1

For wardrobe tube Ø25 mm



Material: Steel
Finish: Chrome

SKR6 / 2

For wardrobe tube Ø25 mm



Material: Steel
Finish: Chrome

SKR6 / 3

For wardrobe tube Ø25 mm



Material: Steel
Finish: Chrome

SKR7

For wardrobe tube Ø25 mm



Material: Steel
Finish: Chrome

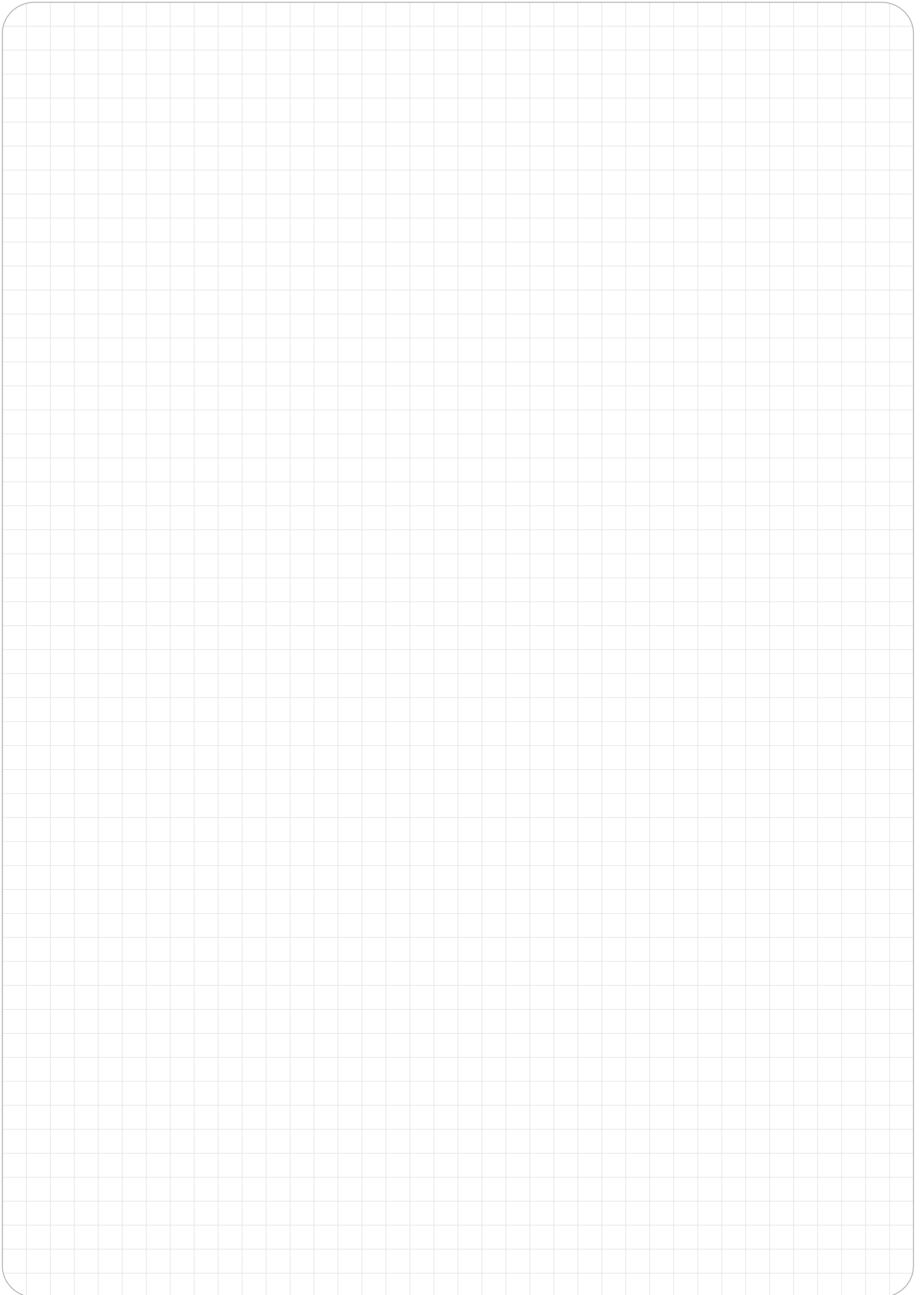
PLUG

For wardrobe tube Ø25 mm



Material: Steel
Finish: Chrome

NOTES



NOTES

